



The Science of Clean Air.



**CATCH
HOLD
KILL!**

The Most
Effective Way
to Apply UVC
Protection to
an Airstream.

STERILE SWEEP®

***Effective against resistant pathogens
such as Anthrax and viruses!***

The patented *Sterile Sweep* uses
a powerful UVC beam to scan and
inactivate airborne pathogens.

STERILE SWEEP®



The Dynamic *Sterile Sweep*

The breakthrough design of the *Sterile Sweep* UVC System brings the proven effectiveness of Dynamic's Germicidal Systems to commercial and residential HVAC installations. The *Sterile Sweep* couples a high-output UVC lamp with an oscillating parabolic reflector to produce an intense, focused beam of scanning UVC.

PERFORMANCE DATA	GRS2000
Electrical Input:	115 VAC / 60 Hz
UVC Output (nanometers):	250-260
Power Consumption:	1.75 Amps
Power Consumption at Start Up	2.90 Amps
Lamp - T6 Bulb 590 mm	80 Watt
Fuse - Type	3A / 250V
Weight	12.2 lbs. (5.5kg)
Ozone Generation:	None

Model Numbers:
GRS2000-21 21"
GRS2000-24 24"
GRS2000-33 33"

The impact of airborne bacteria, molds and viruses on our health is in the news almost daily. More importantly, these pathogens can be in the air we breath in our homes and work places, causing a wide range of problems. Control of them must go beyond simply catching them on a filter—to truly protect our environment, these pathogens must be *killed*.

There is no question that UVC (Ultraviolet light of the 250 - 260nm wavelength) is a powerful germicide. Given sufficient intensity, UVC will inactivate pathogens on a surface. But since the intensity depends on *contact time* and *proximity* to the light, the question has been how to effectively apply UVC to pathogens moving at 500 fpm through the ducts in an HVAC system. UVC lamps by themselves cannot guarantee sufficient intensity to kill organisms as they move by in the airstream. And while high-efficiency passive filters may capture pathogens, UVC cannot penetrate the dense media, allowing them to remain active.

According to the American Society of Heating, Refrigerating and Air-Conditioning Engineers (ASHRAE), ultraviolet germicidal energy (UV-C) has been shown to inactivate viruses, bacteria, and fungi. A few studies have shown that air-cleaning technologies using UV-C disinfection (also termed ultraviolet germicidal irradiation [UVGI]) produce beneficial health effects.

Effective: The oscillating reflector focuses the UVC into a potent sterilizing beam which penetrates deep into the media, killing collected pathogens.

Consistent: The upstream housing shields the lamp from dust in the airstream, keeping it clean and maximizing output.

Economical: The patented sweep reduces the number of lamps required.

Versatile: Ideally used with Dynamic Air Cleaners, the *Sterile Sweep* is effective on coils, passive filters, and other surfaces as well.

SPECIFICATIONS

Model: GRS 2000

Input Voltage: 115 vac/60hz

Power Consumption: 1.75 amps,
(2.90 amp start-up)

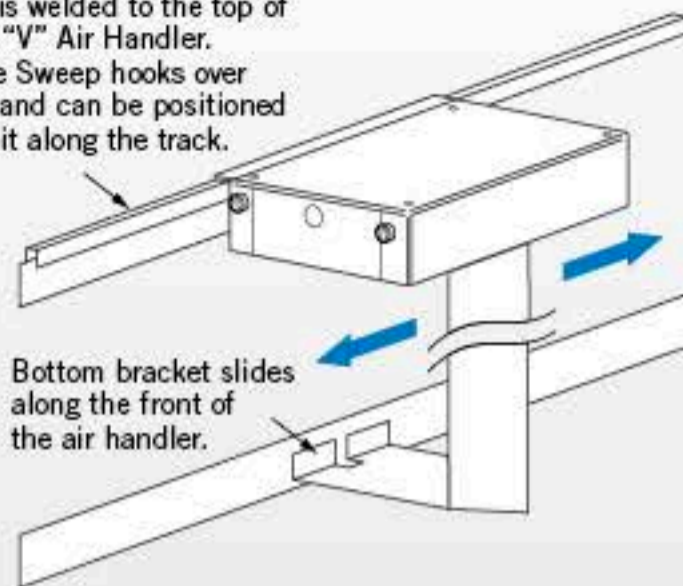
UVC Lamp: 590mm, T6

Overall Weight: 12.2 lbs

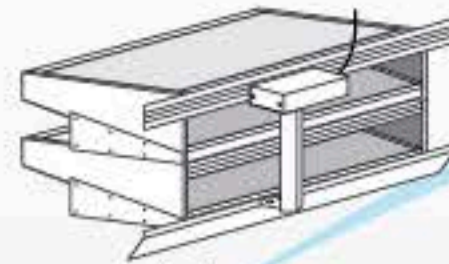
Available in Stainless Steel



The track is welded to the top of the Super "V" Air Handler. The Sterile Sweep hooks over the track, and can be positioned by sliding it along the track.

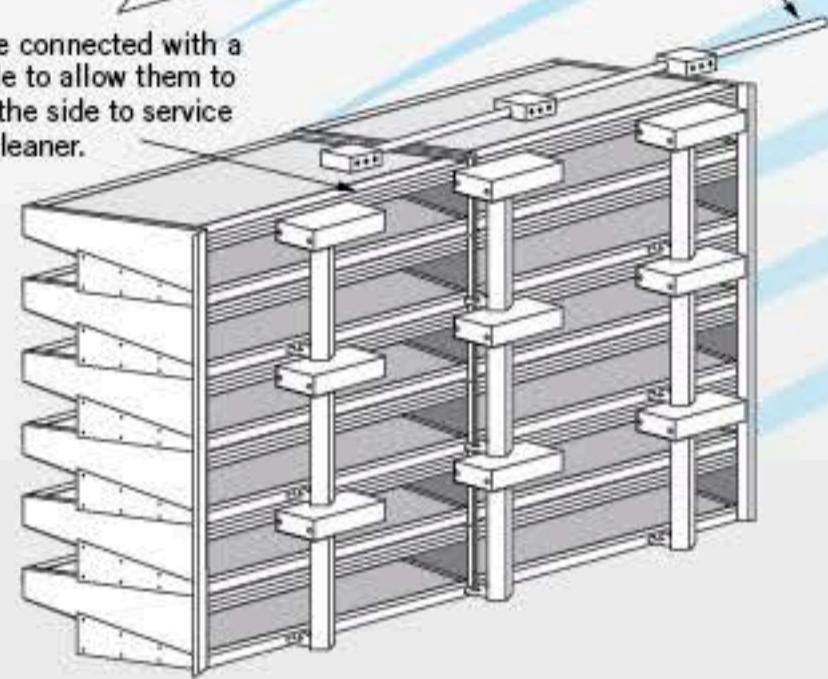


Bottom bracket slides along the front of the air handler.



Units are connected with a flex cable to allow them to slide to the side to service the air cleaner.

Power to Sterile Sweep Germicidal Units must go through an interlock switch on the chamber door. This will ensure the units are off when the chamber is entered.



Dynamic Polarized-Media Air Cleaners and the Sterile Sweep UVC System: an unbeatable combination

When Dynamic *Sterile Sweep* UVC Systems are coupled with Dynamic Polarized-Media Air Cleaners, they create a uniquely effective system that provides the proximity and contact time necessary for UVC light to do its job. The Dynamic Air Cleaners capture and hold airborne contaminants on its translucent media, while the Dynamic *Sterile Sweep* beam penetrates the media, repeatedly exposing the microorganisms and destroying them. This allows for the inactivation of even highly resistant molds, bacteria, and viruses, including Anthrax.

Protecting Your Most Valuable Asset

Whether a home, a hospital or a corporate headquarters, the most valuable assets in any building are the people inside. The *Sterile Sweep* and Dynamic Air Cleaners offers maximum protection for the people (and other assets) from the harmful effects of airborne molds, bacteria, and viruses.

Dynamic Air Cleaning Systems are used to deliver superior air quality and lower operating costs at major facilities throughout the world.



American Alliance of Museums



The Science of Clean Air.

Dynamics Air Quality Solutions
PO Box 1258, Princeton, NJ 08542
800.578.7873
www.DynamicAQS.com